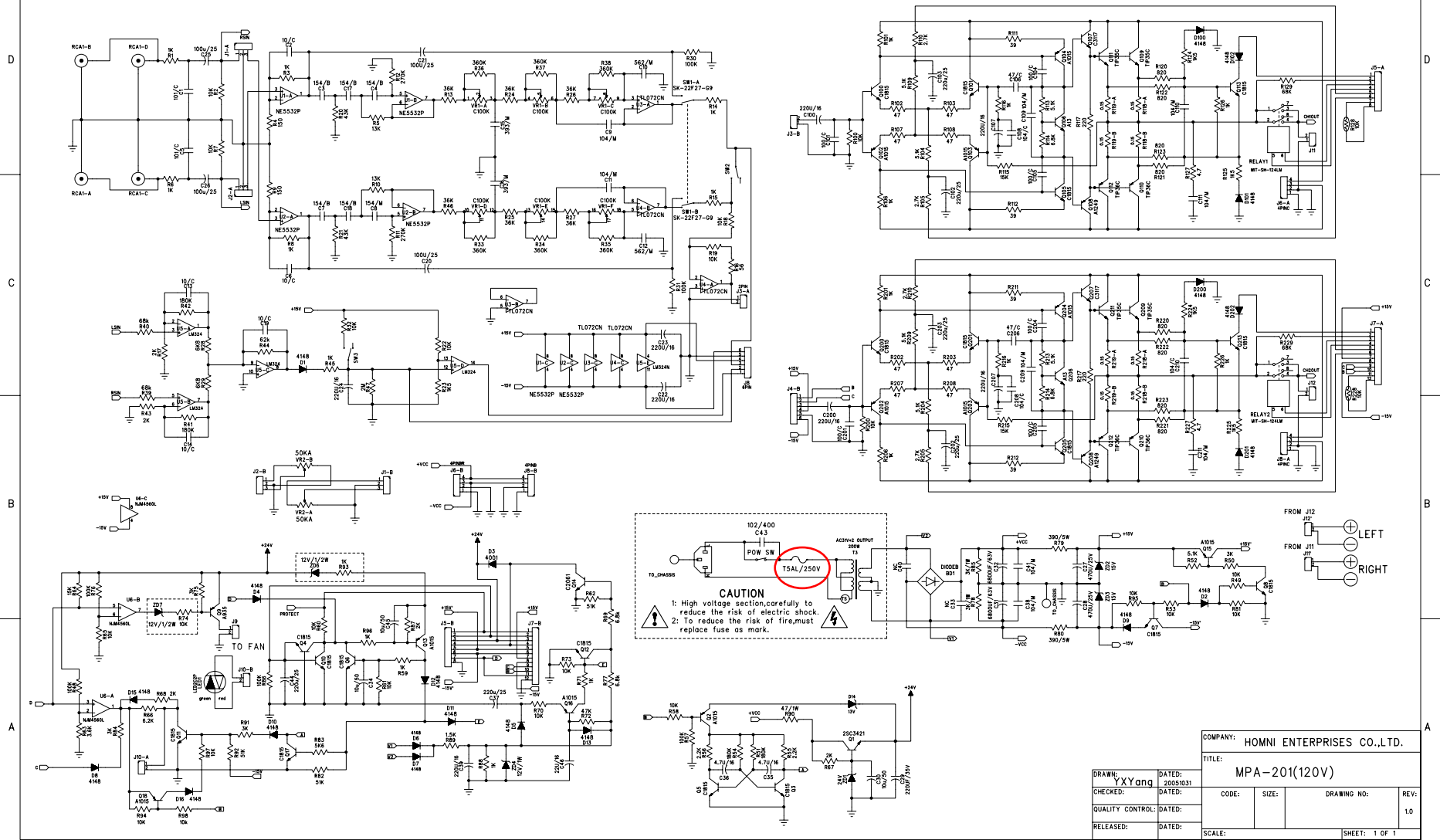


REVISION RECORD		
LTR	ECO NO.	APPROVED: DATE



**CAUTION**  
 1: High voltage section, carefully to reduce the risk of electric shock.  
 2: To reduce the risk of fire, must replace fuse as mark.

DRAWN: XYang		DATED: 20051031	
CHECKED:		DATED:	
QUALITY CONTROL:		DATED:	
RELEASED:		DATED:	
SCALE:		SHEET: 1 OF 1	

COMPANY: HOMNI ENTERPRISES CO.,LTD.  
 TITLE: MPA-201(120V)  
 CODE:      SIZE:      DRAWING NO:      REV: 1.0