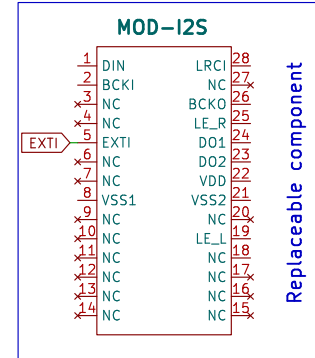
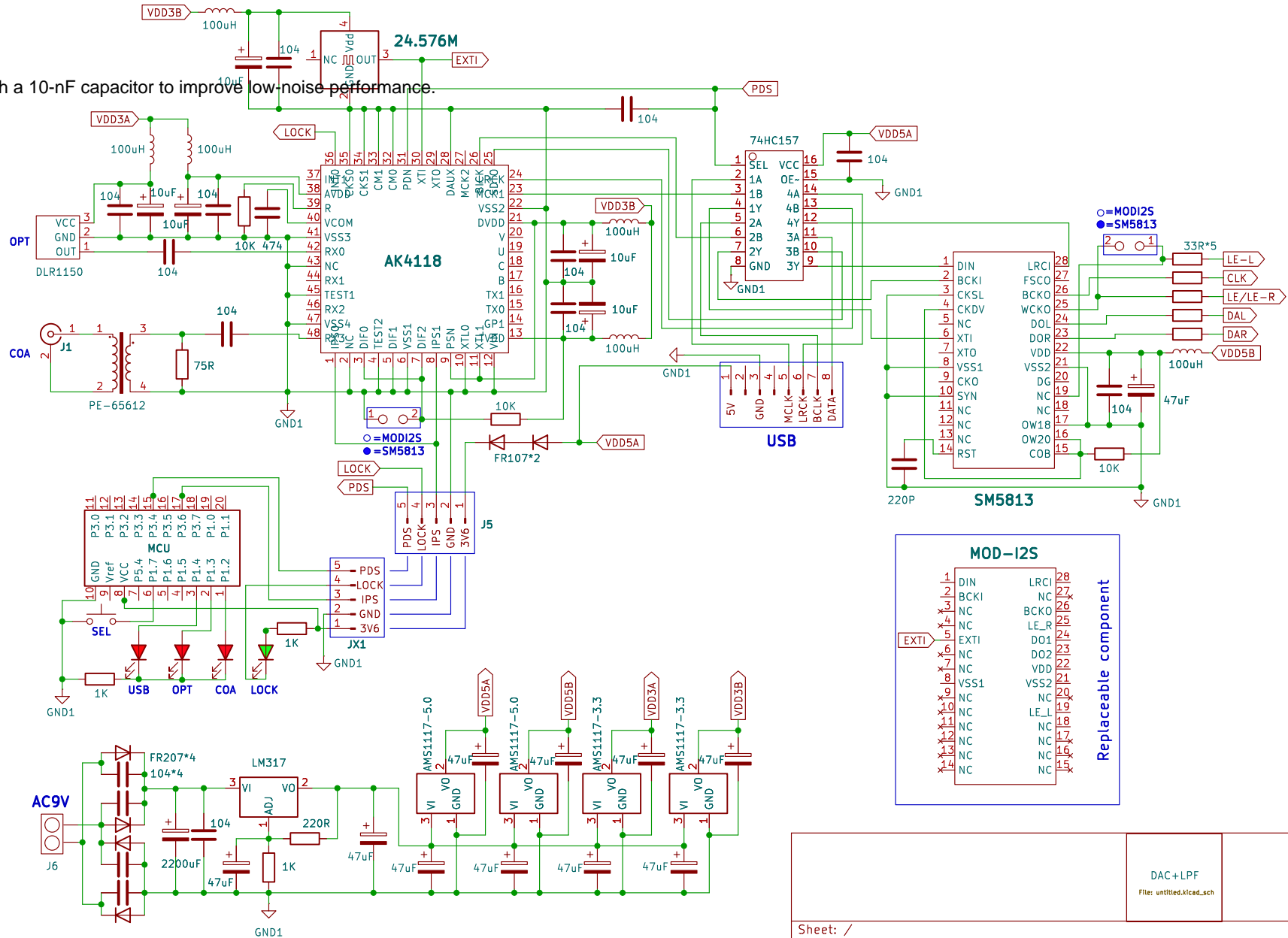
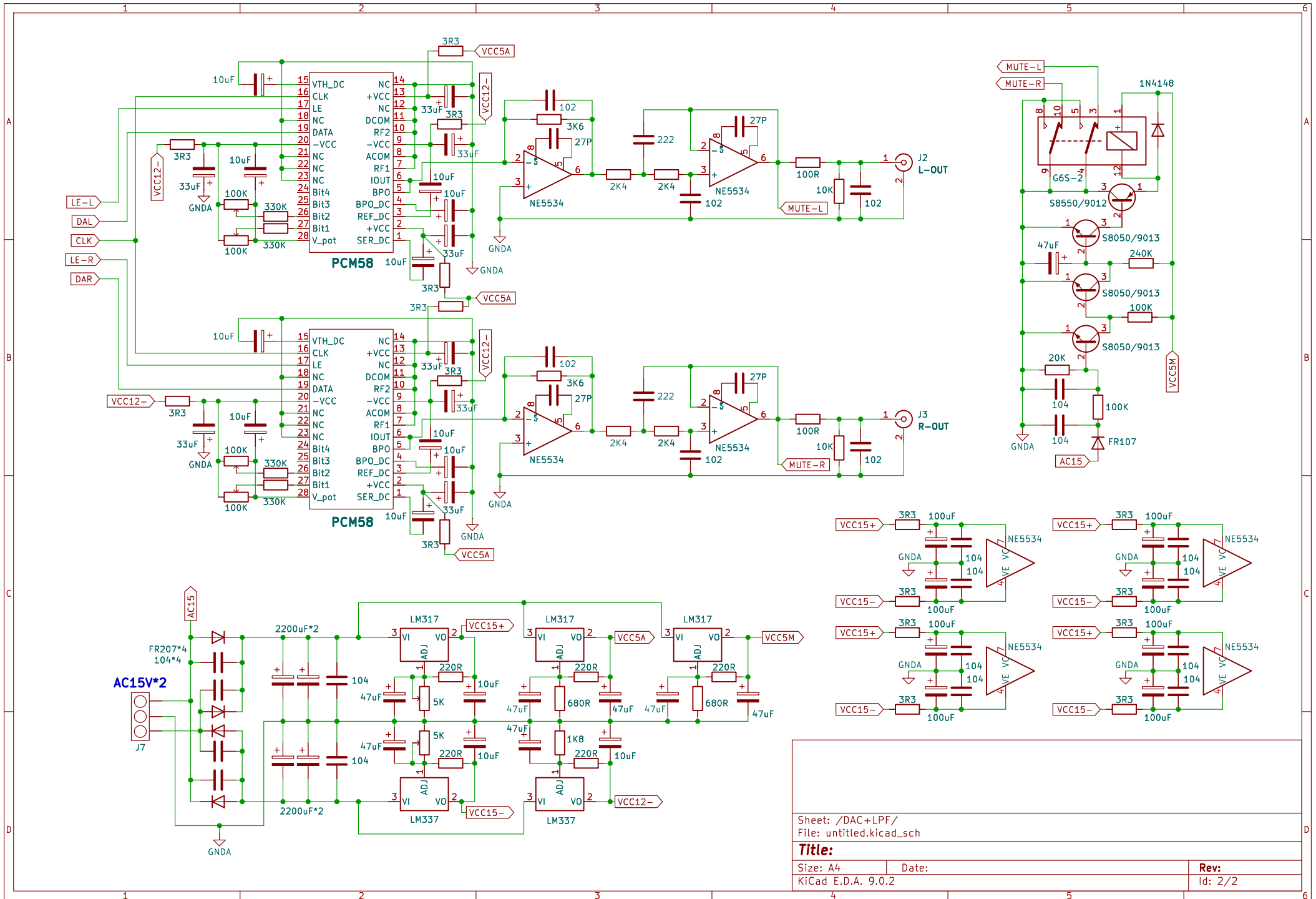


BYPASS 4 I/O Attach a 10-nF capacitor to improve low-noise performance.





Sheet: /DAC+LPF/  
 File: untitled.kicad\_sch

**Title:**

Size: A4  
 KiCad E.D.A. 9.0.2

Date:

Rev:

Id: 2/2