

Technical Manual

S26

Studio Series



ACOUSTIC & ELECTRICAL SPECIFICATIONS:

- Nominal Impedance 8 ohms
- Max Amp Power 150 watts
- Frequency Response 48 Hz - 20 kHz (-3dB)
- Sensitivity 87 dB (1 watt @ 1 meter)
- Crossover Frequency 2000 Hz

SYSTEM COMPONENTS:

- Enclosure w/ network S26 (Not for sale)
- Grille 335144-002
- Low Frequency Transducer 6.5" (133mm) PolyPlas™ Cone Shielded (335148-001)
 - DC Resistance 4.8 ohms ±10%
- High Frequency Transducer 1" (25mm) Titanium dome Shielded (335663-001)
 - DC Resistance 3.4 ohms ±10%
- Crossover Network 335409-001

AURAL SWEEP TEST SPECIFICATIONS:

- A. System Aural Sweep Test 6.0V Input 40 Hz to 20 kHz
- B. L.F. Aural Sweep Test 6.0V Input 40 Hz to 3 kHz
- D. H.F. Aural Sweep Test 2.83V Input 1 kHz to 20 kHz

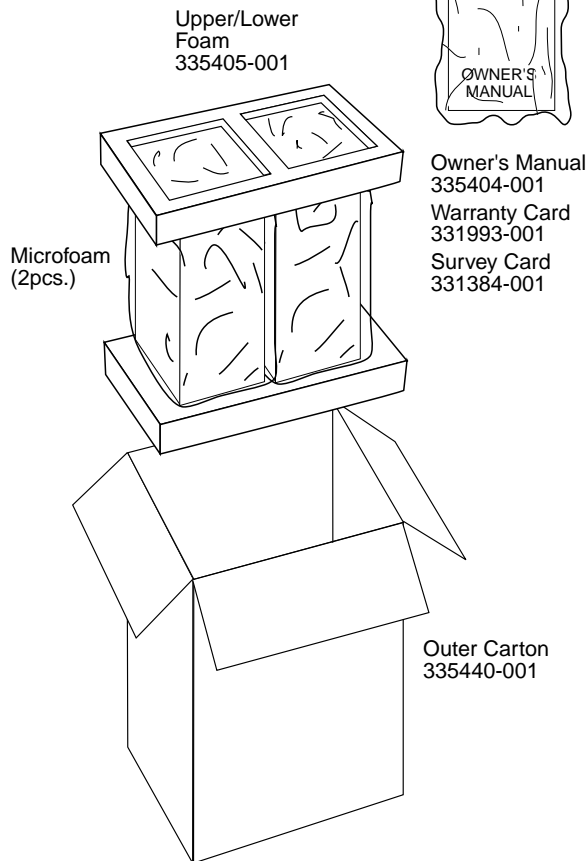
PHYSICAL SPECIFICATIONS:

- Enclosure dimensions: 17" x 10" x 10" (H x W x D)
432mm x 254mm x 254mm
- Weight 44 lbs. /20kg Sold in Pairs

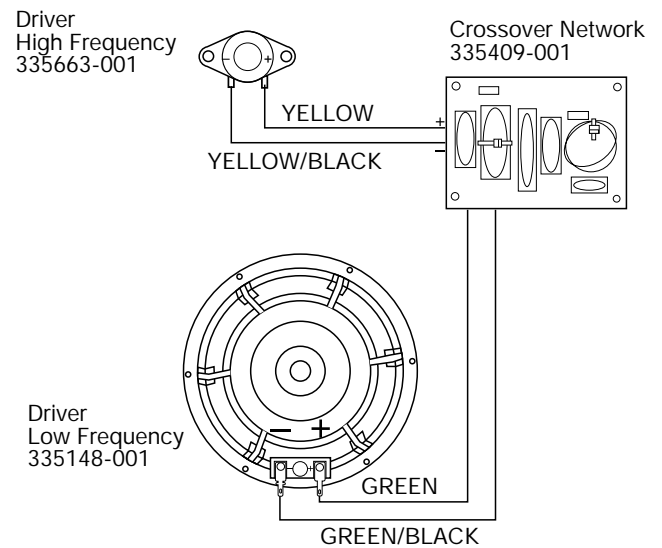
WARRANTY:

- Refer to Warranty Statement packed with each product.

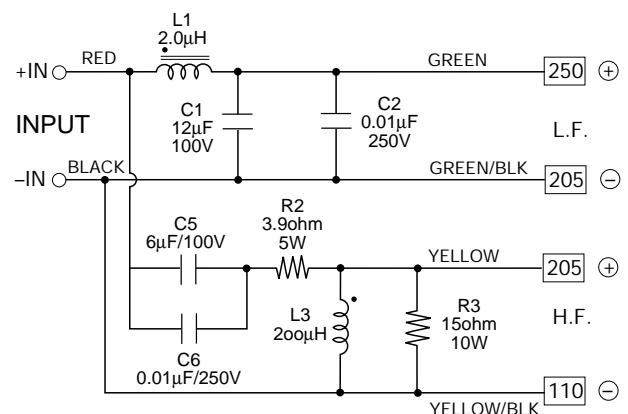
PACKAGING



WIRING DIAGRAM



S26 SCHEMATIC



S26 Studio Series

S26

Studio Series



EXPLODED VIEW

