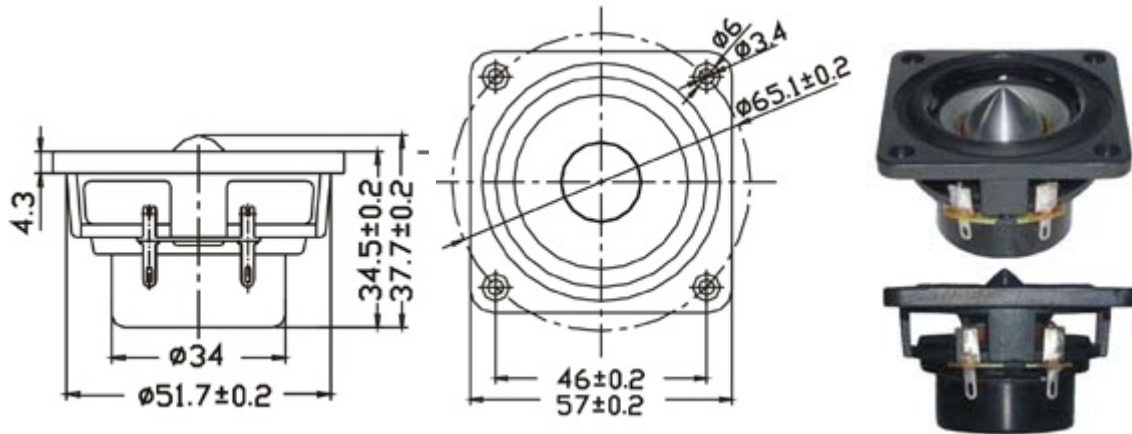


F SERIES

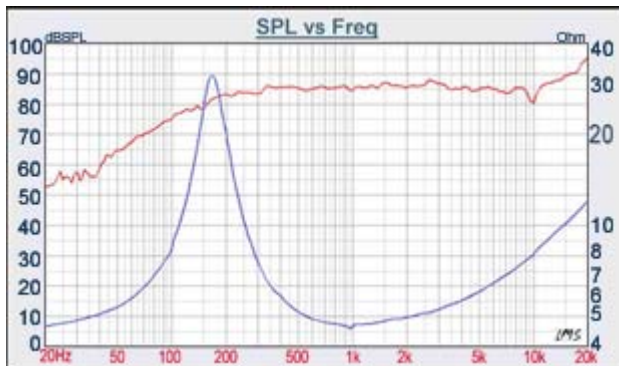
W2-803SM



2" POLYCONE FULL RANGE

- FULL RANGE DESIGN
- ABS BASKET, MAGNETICALLY SHIELDED
- SILVER PPM CONE WITH R SHAPE TPR SURROUND
- NEODYMIUM MAGNET DESIGN
- GOOD FOR CAR, HOME THEATER, MULTIMEDIA APPLICATION
- SPECIAL ALUMINUM PHASE PLUG TO PROVIDE WIDER DISPERSION AND HEAT SINK

DIAPHRAGM MTL	Silver PPM
SURROUND MTL	TPR
NOMINAL IMPEDANCE	4 Ω
DCR IMPEDANCE	3.6 Ω
SENSITIVITY 1W/1m	85 dB
FREQUENCY RESPONSE	160-20K Hz
FREE AIR RESONANCE	160 Hz
VOICE COIL DIAMETER	20.4 mm
AIR GAP HEIGHT	3.0 mm
RATED POWER INPUT	8 W
MAXIMUM POWER INPUT	16 W
FORCE FACTOR, BL	2.69 TM
MAGNET WEIGHT (oz)	Neodymium
MOVING MASS	1 g
FERRO FLUID ENHANCED	No
SUSPENSION COMPL.	1051 MN ⁻¹
EFFEC.PISTON AREA	0.0013 M ²
Levc	0.04 mH
Zo	33 ohm
X-max	1 mm
Vas	0.25 Liter.
Qts	0.40



TB SPEAKERS

VOICE:886.2.26570282 FAX:886.2.26580166
E-MAIL :info@tb-speaker.com

Qms	3.56
Qes	0.46

CLOSE