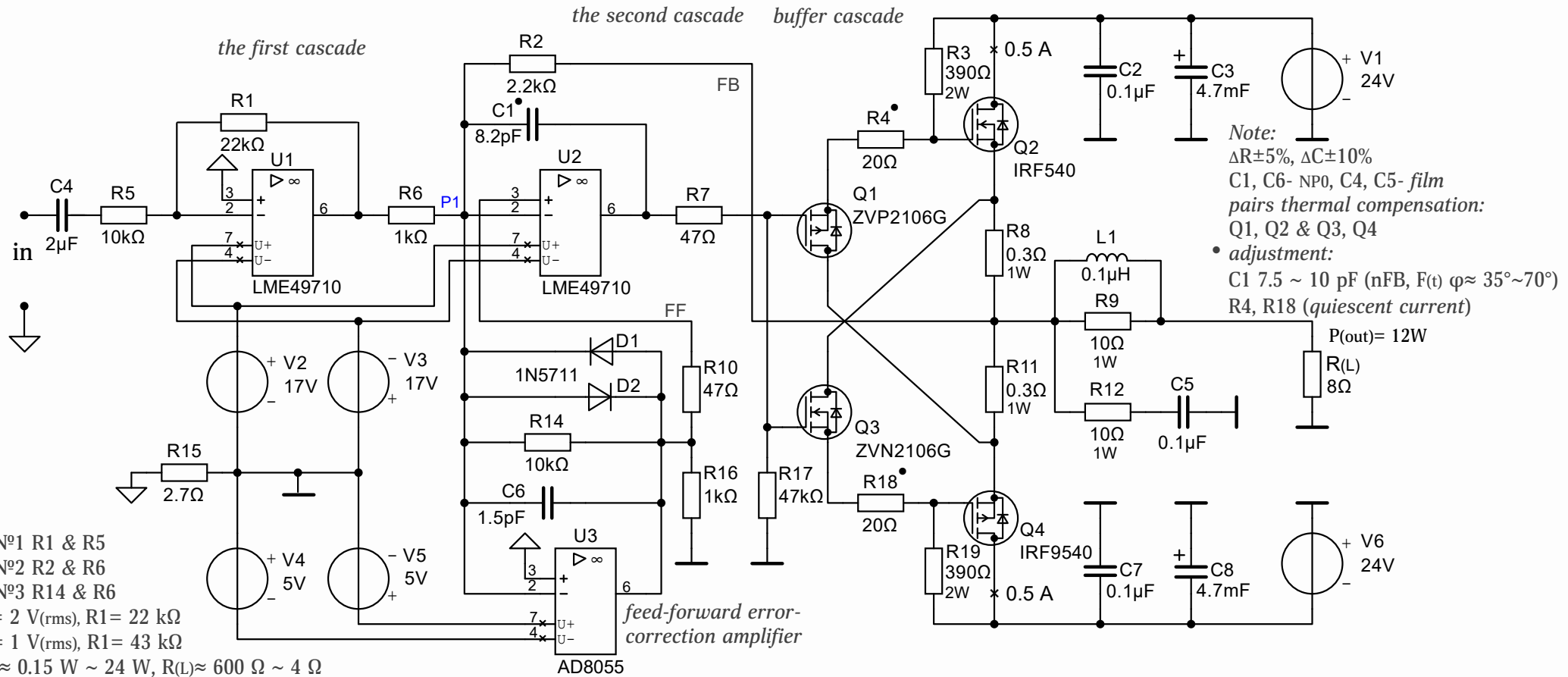


Audio amplifier Zita (Z) bridge NEW



Features:

- high fidelity audio operational amplifier LME49710
- feed-forward error-correction amplifier AD8055
- buffer cascade (Q1~ Q4) "bridge+1\2 bridge, class- A"
- smart overload protection "step by step" (SoP)
- ripple rejection < -100 dB power supply

Key specifications:

$F_{(-3dB)} 10 \text{ Hz} \sim 10 \text{ MHz}$
 $F_{(-1dB)} 15 \text{ Hz} \sim 6 \text{ MHz}$
 $F_{(\varphi < 30^\circ)} 15 \text{ Hz} \sim 2.7 \text{ MHz}$
 $F_{(\varphi < 5^\circ)} 90 \text{ Hz} \sim 450 \text{ kHz}$
 $P_{(-3dB)} 10 \text{ Hz} \sim 450 \text{ kHz}$

$P_{(out)} > 3 \text{ W}$ (buffer, class- AB)
 $P_{(out)} \leq 3 \text{ W}$ (buffer, class- A)
 $THD \leq 0.001 \%$ (10 Hz~10 kHz)
 $SINAD \approx 93 \text{ dB}$ (10 μW~10 W)
 $P_{(out)} \approx 15 \text{ W}$, max. (THD ≈ 1%)

Note: $P_{(out)} \approx 10 \text{ W}$, $R_{(L)} = 8 \Omega$

SPICE
Models

ID: 8144715A

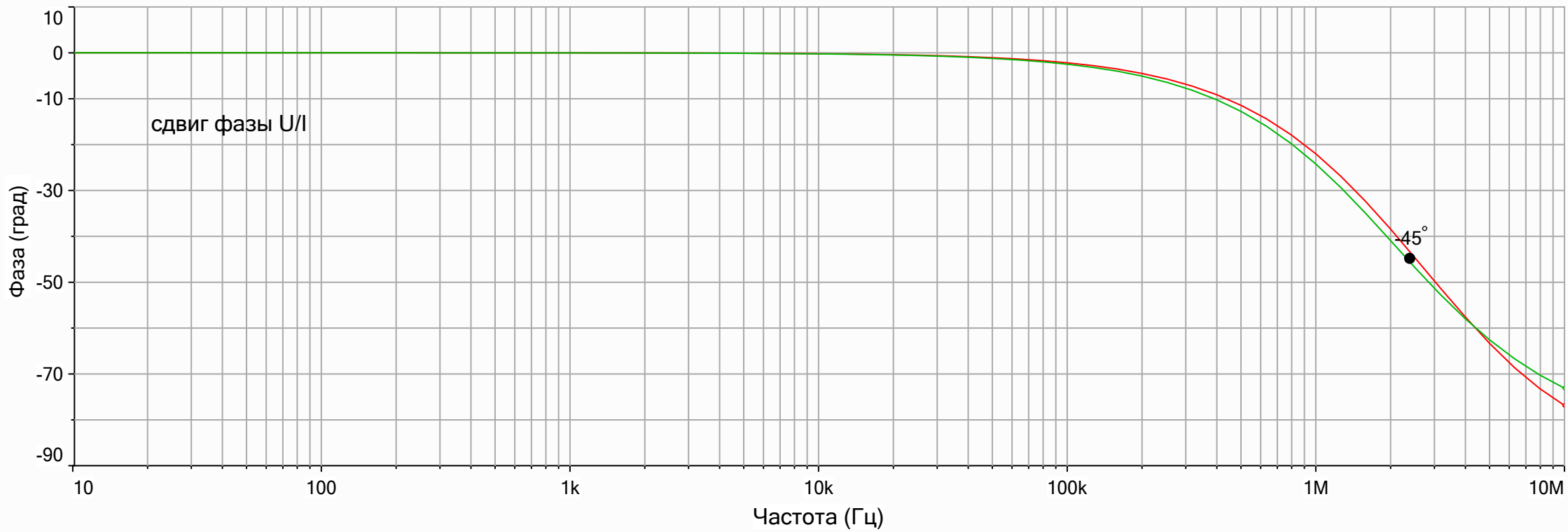
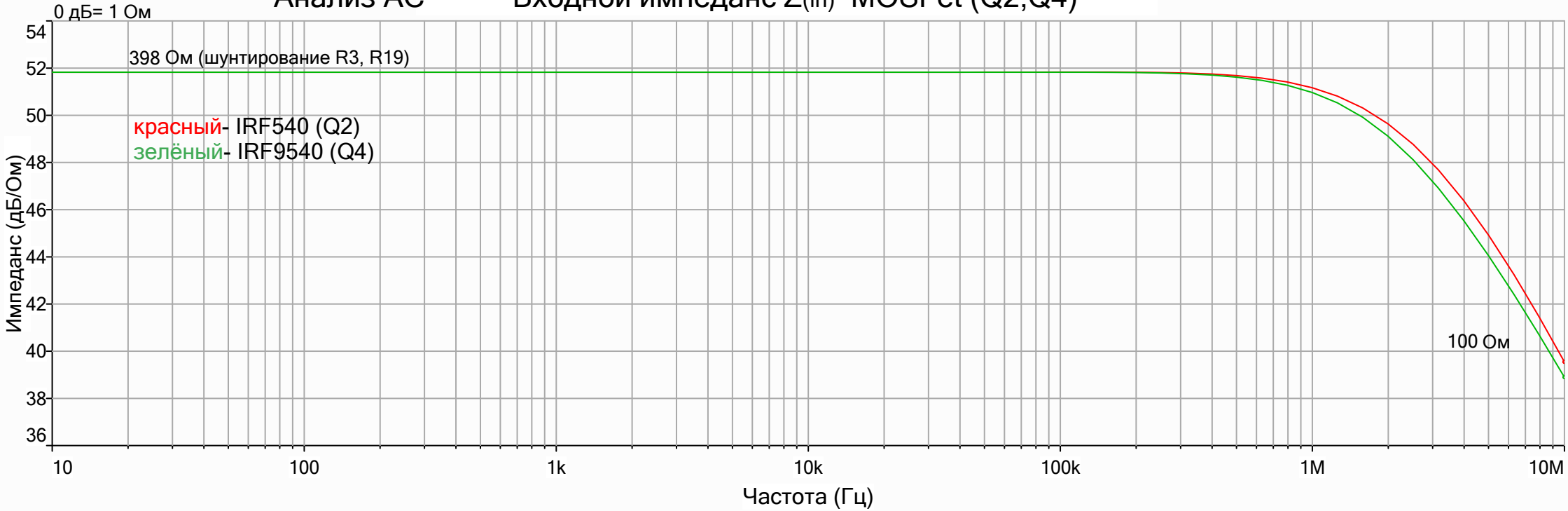


submit
documentation feedback

Audio amplifier Zita (Z) bridge 8144715A

Анализ АС

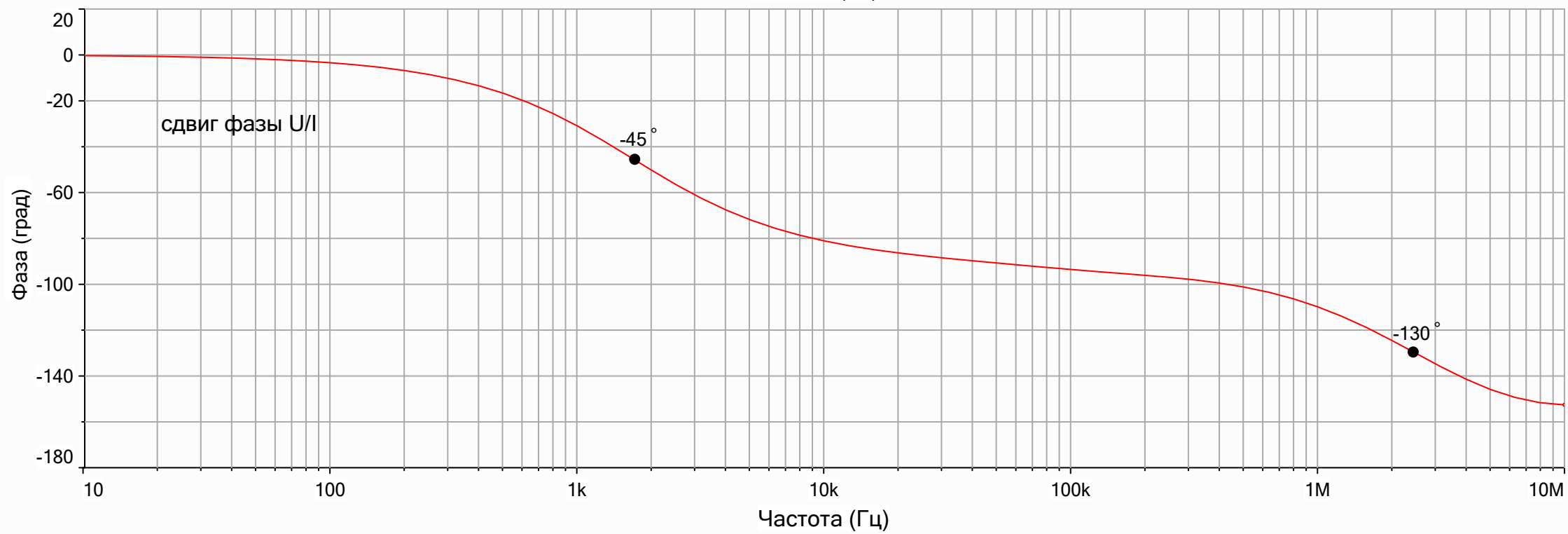
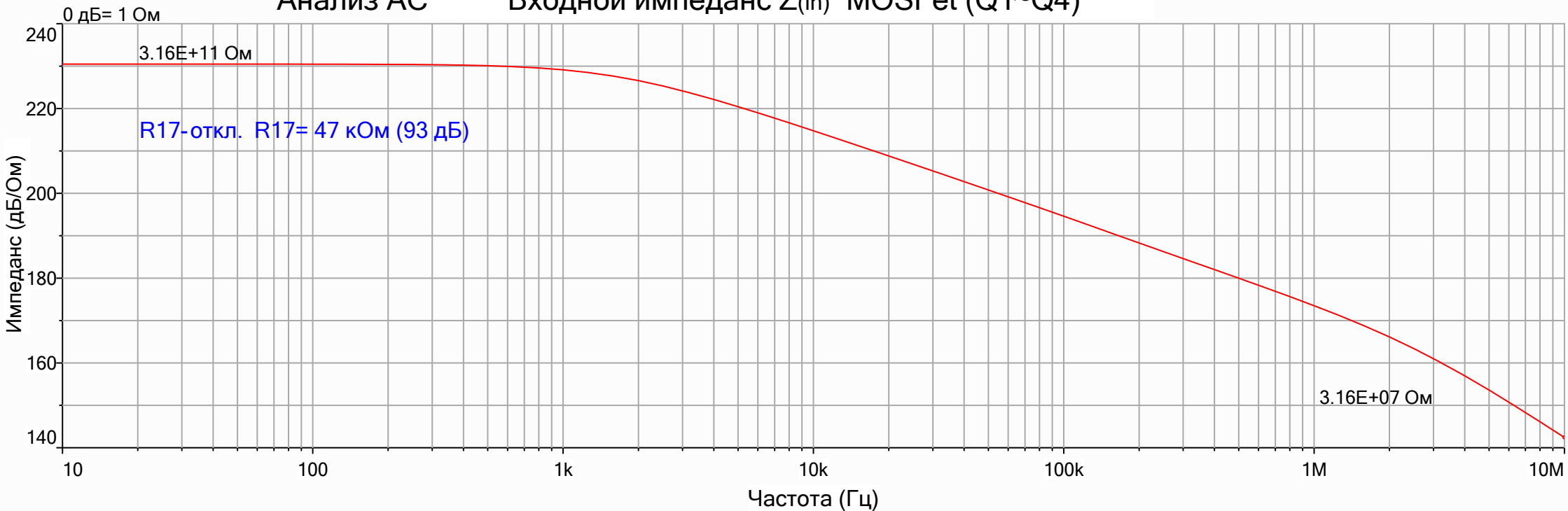
Входной импеданс $Z_{(in)}$ MOSFet (Q2,Q4)



Audio amplifier Zita (Z) bridge 8144715A

Анализ АС

Входной импеданс $Z_{(in)}$ MOSFet (Q1~Q4)



Audio amplifier Zita (Z) bridge 8144715A

Анализ АС

Проходная передаточная хар-ка (Q1~Q4)

